

# POINT OF CARE TESTING (POCT) FULLY AUTOMATED BIOCHEMISTRY ANALYZER

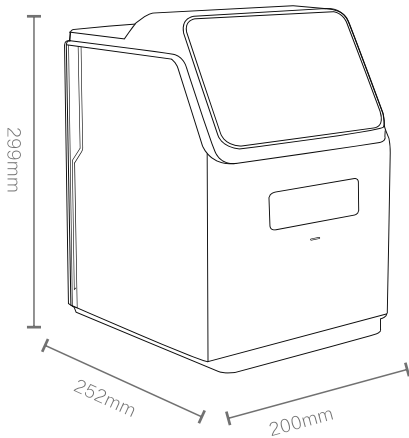
SD1 Automatic Biochemistry Analyzer is a biochemical analysis system that integrates conventional biochemistry, coagulation, electrolyte and immunoassay items. It is widely used in primary health, emergency diagnostic testing, field rescue and other fields.

Immediate Results    Anywhere Anytime

Transfer results to PC

Build results database  
(LIS System)





## SD1 Automatic Biochemistry Analyzer

Equipped with the latest medical and technological innovations, we have invented a state-of-the-art portable SD1 Automatic Biochemistry Analyzer which provides a better, faster and more accurate diagnosis for blood analysis.



Test up to 34 parameters in total



Test results in 12 minutes



3-step simple operation

## ADVANTAGES

### Low Sample Consumption

Sample Volume needed is 1/10 - 1/20 of conventional chemistry analyzer.

### Easy to Use

No professional skill required.

### Maintenance Free

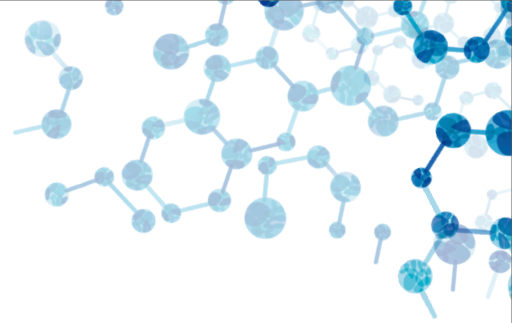
Robust analyzer, no consumables needed, such as tubes, pumps and valves.

### Accurate Result

Using the photoelectric colorimetric principle, the SD1 analyzer has many advantages versus conventional dry biochemistry analyzer using the light reflection method. Dilution of test sample is guaranteed Without random errors or cross contamination.

## SPECIFICATION

Sample volume	100µl	Testing method	End-point, kinetic, two-point
Bar code	Two dimensional Bar Code	Light source	Halogen tungsten lamp's shelt life is over 2500 hours
Testing time	12 minutes / sample	Power supply	AC 100V-240V, 50-60Hz
Temperature	37°C±0.3°C	Rated power	120VA
Absorbance	0.001Abs	Storage	Max 500,000 results
Cross infection	0	Display	7 inch 800*480 multi-touch screen, Android system, multi-language support
Sample type	Lithium Heparin Anticoagulant whole blood, serum and plasma	Printer	Built-in thermal printer
Work condition	Temperature:10-30°C Humidity: 30%-70%	Connectors	4 USB interfaces, 1 LAN interfaces
Testing principle	Absorption spectroscopy, Turbidimetry	Weight	4.6Kg
QC&Calibrate	Automatic and real-time		



## EASY 3-STEP OPERATION

All steps are automated from centrifugation, dilution, quality control to test result printing.



**01** Add Sample (100 $\mu$ L)



**02** Insert Disc (12-minute testing time)



**03** Read Results ( immediately )

## DISPOSABLE REAGENT DISC

### Seamaty Reagent Disc Introduction

Born from space technology research, Seamaty reagent disc is a fully self-contained single-use chemistry reagent disc designed to satisfy a variety of conditions. Just 3-4 drops (100 $\mu$ l ) of whole blood are required to offer accurate results. The test kit consists of lyophilized reagent beads, diluent and QR code. The reagent disc has a shelf life of 12 months(2-8 $^{\circ}$ C storage). The diluent is contained in the disc. The QR code includes the basic information of the disc.

### Intelligent Quality Control

The reagent disc contains a complicated internal quality control system IQC which continuously monitors the disc function to ensure reaction stability and optimal disc performance. IQC is the engine that drives the SD1 accurately and precisely.

### Correlation

In countless central-lab correlation studies, the accuracy, precision and reproducibility of the SD1 chemistry analyzer has been proven and approved by the most respected hospitals and commercial around the world.



# Reagent Panel

Group Panels	General Chemistry II Kit						General Chemistry III Kit										4	HbA1c	
	8 Renal Function Kit	7 Electrolyte Kit	4 Cardiac Kit	10 Relyte Kit	18 General Chemistry II Kit	8 Renal Function Kit	14 General Chemistry Kit	10 Liver Function Kit	6 Lipid Kit	19 General Chemistry III Kit	10 Liver Function Plus Kit	13 Liver Function Kit	13 Health Check Kit	17 Conventional Chemistry Kit	14 General Chemistry B Kit	11 Chemistry CRP Kit	5 CRP Kit	4 Coagulation Assay Kit	HbA1c Kit
Analytes	AW00088	AW00246	AW00411	MD20105	AW00866	AW00275	AW00002	AW00131	AW00353	AW00867	AW00430	AW01078	AW00194	AW01076	AW01077	AW00857	MD10132	MD10184	MD10186
ALB	ALB				ALB	ALB	ALB	ALB		ALB	ALB	ALB	ALB	ALB	ALB	ALB			
ALP							ALP	ALP		ALP	ALP	ALP		ALP		ALP			
ALT							ALT	ALT	ALT	ALT	ALT	ALT	ALT	ALT	ALT	ALT			
AMY					AMY		AMY	AMY		AMY	AMY		AMY		AMY		AMY		
AST			AST		AST		AST	AST	AST	AST	AST	AST	AST	AST	AST	AST			
APTT					AST													APTT	
Ca	Ca	Ca		Ca	Ca	Ca							Ca						
CHE								CHE		CHE		CHE		CHE					
CK			CK		CK					CK			CK		CK				
Cl <sup>-</sup>		Cl <sup>-</sup>		Cl <sup>-</sup>	Cl <sup>-</sup>	Cl <sup>-</sup>													
Crea	Crea			Crea	Crea	Crea	Crea			Crea		Crea	Crea	Crea	Crea	Crea	Crea		
DB										DB	DB	DB		DB	DB	DB			
Fib																		Fib	
GGT							GGT	GGT		GGT	GGT	GGT		GGT					
GLU	GLU				GLU		GLU		GLU	GLU			GLU	GLU	GLU	GLU			
HbA1c																			HbA1c
K <sup>+</sup>		K <sup>+</sup>		K <sup>+</sup>	K <sup>+</sup>	K <sup>+</sup>													
Na <sup>+</sup>		Na <sup>+</sup>		Na <sup>+</sup>	Na <sup>+</sup>	Na <sup>+</sup>													
PHOS	PHOS	PHOS		PHOS	PHOS								PHOS						
PT																		PT	
TB							TB	TB		TB	TB	TB	TB	TB	TB	TB			
TBA								TBA		TBA		TBA		TBA					
tCO <sub>2</sub>	tCO <sub>2</sub>	tCO <sub>2</sub>		tCO <sub>2</sub>	tCO <sub>2</sub>														
TP							TP	TP		TP	TP	TP	TP	TP	TP	TP			
TT																			TT
UA	UA			UA	UA	UA	UA			UA		UA		UA	UA				
UREA	UREA			UREA	UREA	UREA	UREA			UREA		UREA	UREA	UREA	UREA	UREA	UREA		
TC							TC		TC	TC				TC	TC				
TG							TG		TG	TG			TG	TG	TG				
HDL									HDL	HDL				HDL					
LDL*									LDL*	LDL*				LDL*					
LPS					LPS						LPS						LPS		
HBDH			HBDH		HBDH														
LDH			LDH		LDH														
CRP																CRP	CRP		
Mg		Mg		Mg	Mg														
GLOB*							GLOB*	GLOB*		GLOB*	GLOB*	GLOB*	GLOB*	GLOB*	GLOB*	GLOB*			
U/C*	U/C*			U/C*	U/C*	U/C*	U/C*			U/C*		U/C*	U/C*	U/C*	U/C*	U/C*			
A/G*							A/G*	A/G*		A/G*	A/G*	A/G*	A/G*	A/G*	A/G*	A/G*			
INR*																			INR*

\* calculated